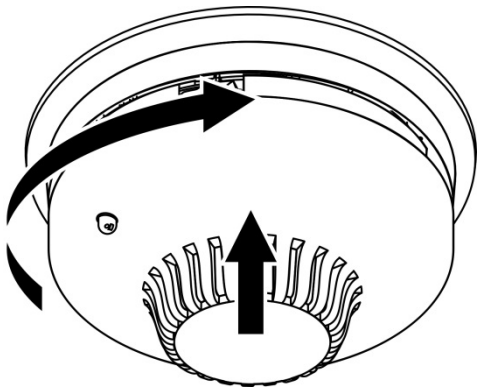
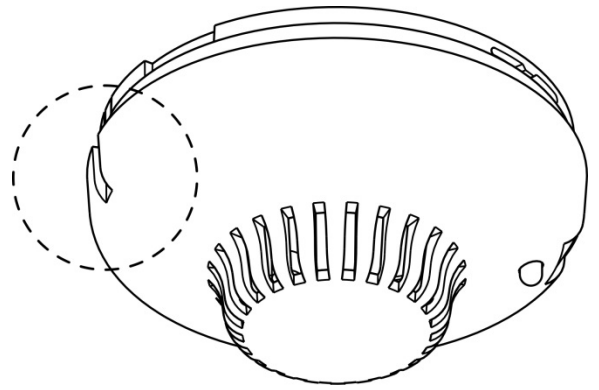


ZX832-3 Addressable Optical/Heat Multisensor Installation Sheet

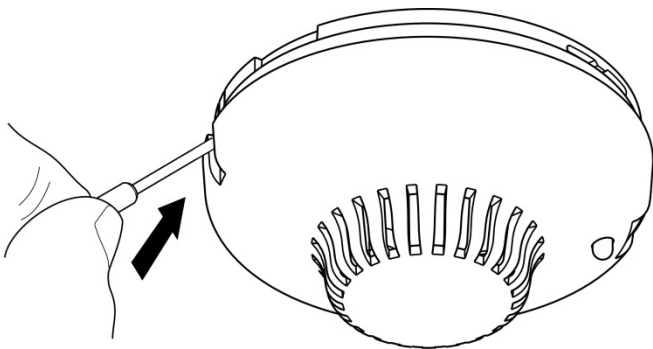
1



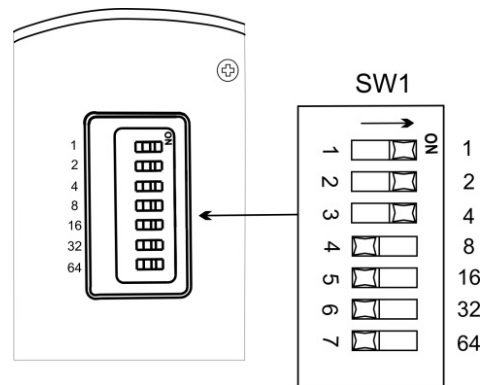
2



3



4



EN: Installation Sheet

Description

The ZX832-3 Addressable Optical/Heat Multisensor integrates both high sensitivity smoke and thermal sensors, resulting in higher detection certainty.

Table 1: Available models

Number	Description
ZX832-3P	Addressable Optical/Heat Multisensor, Polar White
ZX832-3B	Addressable Optical/Heat Multisensor, Black
ZX832-3S30	Addressable Optical/Heat Multisensor, Chubb

See Table 2 for a list of sensing profiles.

Figures

Figure 1: Inserting a detector

Figure 2: Location of the locking tab

Figure 3: Removing a locked detector

Figure 4: Setting the address

Installation

Caution: For general guidelines on system planning, design, installation, commissioning, use and maintenance, refer to the EN 54-14 standard and local regulations.

To install a detector

Insert the detector head into the mounting base and rotate it clockwise until it clicks into place (Figure 1).

The detector may be locked into the mounting base if required. To do this, remove the locking tab before installation (Figure 2).

After installation, ensure that the detector communicates with the control panel. Always test detectors after installation.

To remove a locked detector:

1. Insert a small screwdriver into the locking tab slot (Figure 3).
2. Press and rotate the detector anticlockwise.

Setting the address

The detector includes a seven-segment DIP switch (SW1) for assigning detector addresses. Each switch segment has a decimal value (as shown in Figure 4). The address is the sum of all the switch segments in the ON position. The full DIP switch address range of 1 to 127 is shown on page 4.

For example, to assign a detector address of 007, set SW1-1, SW1-2, and SW1-3 to ON and the remaining switch segments to OFF.

Maintenance and testing

Basic maintenance consists of a yearly inspection. Do not modify internal wiring or circuitry.

Automatic self-test

Sensor sensitivity, calibration, and self-testing are carried out automatically by the fire panel. Removal or replacement of an incorrect sensing detector will be identified by the system and shown as a fault.

Specifications

Operating voltage	19.5 to 20.5 V pulsed, max. 4 V line loss
Current Standby Alarm	600 µA 700 µA
Coverage Smoke element Thermal element	100 m ² 50 m ²
IP rating	IP32
Polarity sensitive	Yes
Compatible bases	Z-AUXD-2P, ZP7-IB-P, ZP7-RB1-P, ZP7-SB1-P, ZP7-SB1B, Black, ZP755B-2P, ZP755BV-4P, ZP755BV-5P
Compatible accessories	Z-RL3 Remote LED unit Z-RL4 Remote LED unit
Operating environment Temperature Storage temperature Relative humidity	-10 to +85°C -20 to +70°C 20 to 95% noncondensing
Dimensions (Ø x H)	106 x 58 mm
Weight	105 g

Regulatory information

This section provides a summary on the declared performance according to the Construction Products Regulation (EU) 305/2011 and Delegated Regulations (EU) 157/2014 and (EU) 574/2014.

For detailed information, see the product Declaration of Performance (available at www.utcssecurityproducts.eu).

EU compliance	CE
Certification body	0370
Declaration of Performance number	360-4211-1099
Year of first CE marking	14
Product identification	ZX832-3P, ZX832-3B, ZX832-3S30
Intended use	See the product Declaration of Performance
Declared performance	See the product Declaration of Performance
Manufacturer	United Technologies Safety Systems 80 Changjiang East Road, QETDZ, Qinhuangdao, Hebei, China 066004 Authorized EU manufacturing representative: UTC Fire & Security B.V., Kelvinstraat 7, 6003 DH Weert, Netherlands



2012/19/EU (WEEE directive): Products marked with this symbol cannot be disposed of as unsorted municipal waste in the European Union. For proper recycling, return this product to your local supplier upon the purchase of equivalent new equipment, or dispose of it at designated collection points. For more information see: www.recyclethis.info.

Contact information

For contact information, visit www.utcssecurityproducts.eu.

Product warnings and disclaimers

THESE PRODUCTS ARE INTENDED FOR SALE TO AND INSTALLATION BY QUALIFIED PROFESSIONALS. UTC FIRE & SECURITY CANNOT PROVIDE ANY ASSURANCE THAT ANY PERSON OR ENTITY BUYING ITS PRODUCTS, INCLUDING ANY "AUTHORIZED DEALER" OR "AUTHORIZED RESELLER", IS PROPERLY TRAINED OR EXPERIENCED TO CORRECTLY INSTALL FIRE AND SECURITY RELATED PRODUCTS.

For more information on warranty disclaimers and product safety information, please check <https://firesecurityproducts.com/policy/product-warning/> or scan the following code:



Table 2: List of sensing profiles

Profile	Sensitivity		Notes
1	Smoke only – High	Smoke only response, Sensitivity 1	Very high sensitivity
2	Smoke only – Normal	Smoke only response, Sensitivity 2 (std)	Normal sensitivity
3 [1]	Smoke only – Medium	Smoke only response, Sensitivity 3	Medium sensitivity [1]
4 [1][2]	Smoke only – Low	Smoke only response, Sensitivity 4	Low sensitivity [1][2]
5 [1][2]	Heat only – High	Heat only response, Sensitivity 1: 58°C ROR	Standard thermal sensitivity with rate of rise [1][2]
6	Heat only – Medium	Heat only response, Sensitivity 2: 58°C FT	Standard thermal sensitivity
7	Heat only – Low	Heat only response, Sensitivity 3: 75°C ROR	Low thermal sensitivity with rate of rise
8	Heat only – Low (Option 2)	Heat only response, Sensitivity 4: 75°C FT	Low thermal sensitivity
9	Smoke High, Heat Medium	Smoke Sensitivity 1, Heat 1: 58°C ROR	Early smoke response, Early thermal response
10	Smoke High, Heat Medium	Smoke Sensitivity 1, Heat 2: 58°C FT	Early smoke response, Medium thermal response
11	Smoke High, Heat Low	Smoke Sensitivity 1, Heat 3: 75°C ROR	Early smoke response, Low thermal response
12	Smoke High, Heat Low (Option 2)	Smoke Sensitivity 1, Heat 4: 75°C FT	Early smoke response, Slow thermal response
13	Smoke Normal, Heat High	Smoke Sensitivity 2, Heat 1: 58°C ROR	Normal smoke response, Early thermal response
14	Smoke Normal, Heat Medium	Smoke Sensitivity 2, Heat 2: 58°C FT	Normal smoke response, Medium thermal response
15	Smoke Normal/ Heat Low	Smoke Sensitivity 2, Heat 3: 75°C ROR	Normal smoke response, Low thermal response
16	Smoke Normal, Heat Low (Option 2)	Smoke Sensitivity 2, Heat 4: 75°C FT	Normal smoke response, Slow thermal response
17	Smoke Medium, Heat High	Smoke Sensitivity 3, Heat 1: 58°C ROR	Medium smoke response, Early thermal response
18	Smoke Medium, Heat Medium	Smoke Sensitivity 3, Heat 2: 58°C FT	Medium smoke response, Medium thermal response
19	Smoke Medium, Heat Low	Smoke Sensitivity 3, Heat 3: 75°C ROR	Medium smoke response, Low thermal response
20	Smoke Medium, Heat Low (Option 2)	Smoke Sensitivity 3, Heat 4: 75°C FT	Medium smoke response, Slow thermal response
21	Smoke Low, Heat High	Smoke Sensitivity 4, Heat 1: 58°C ROR	Slow smoke response, Early thermal response
22	Smoke Low, Heat Medium	Smoke Sensitivity 4, Heat 2: 58°C FT	Slow smoke response, Medium thermal response
23	Smoke Low, Heat Low	Smoke Sensitivity 4, Heat 3: 75°C ROR	Slow smoke response, Low thermal response
24	Smoke Low, Heat Low (Option 2)	Smoke Sensitivity 4, Heat 4: 75°C FT	Slow smoke response, Slow thermal response
25	Enhanced (Clean Room)	Dual detector, Smoke Sensitivity High Heat 58°C ROR Verification 5 seconds	Fast smoke response, Fast thermal response
26	Enhanced (Normal)	Dual detector, Smoke Sensitivity Normal Heat 58°C ROR Verification 20 seconds	Medium smoke response, Medium thermal response Medium time response
27	Enhanced (Industrial)	Dual detector, Smoke Sensitivity Low Heat Low sensitivity Verification 30 seconds	Slow smoke response, Slow thermal response

[1] The ZX832-3P, ZX832-3B, and ZX832-3S30 are CPR certified for sensing profiles 03, 04, and 05 (when installed using shielded cable).

[2] The ZX832-3P is LPCB certified for sensing profiles 04 and 05 (when installed using shielded cable).

